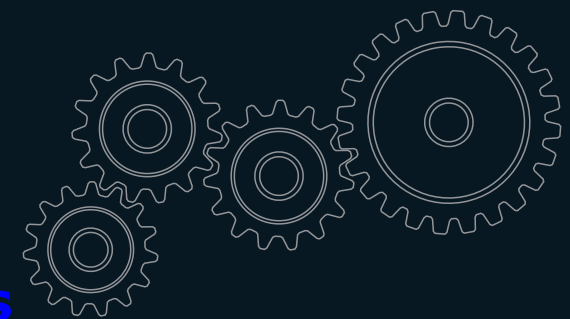


胀紧联结套 | Locking Devices



价值源于核心技术

From Premium Technology
Comes
Exceptional Quality

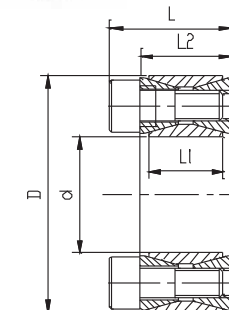




胀紧联结套 | Locking Devices

REACH 01型REACH 01	5-6
REACH 02型REACH 02	7
REACH 03型REACH 03	8-9
REACH 04型REACH 04	10
REACH 04/05型REACH 04/05	11
REACH 05型REACH 05	12
REACH 06型REACH 06	13
REACH 06/07型REACH 06/07	14
REACH 07型REACH 07	15
REACH 11型REACH 11	16
REACH 11型REACH 12	17
REACH 13型REACH 13	18
REACH 15型REACH 15	19
REACH 16型REACH 16	20
REACH 17型REACH 17	21
REACH 18型REACH 18	22
REACH 19型REACH 19	23
REACH 19/20型REACH 19/20	24
REACH 21/22型REACH 21/22	25
REACH 22/33型REACH 22/33	26
REACH 37型REACH 37	27
瑞迪锁紧盘 REACH Shrink Discs	28
REACH14 /43/41锁紧盘技术说明	29
Technology Specifications for REACH14/43/41 Shrink Discs	
REACH 14 锁紧盘REACH14 Shrink Disc	30-31
REACH 41 加重型锁紧盘REACH41 Heavy-loaded Shrink Disc	32-33
REACH 43 轻载型锁紧盘REACH43 Light-loaded Shrink Disc	33-34
REACH47 二件套锁紧盘技术说明	35-36
Technology Specifications for REACH47 Two-part Shrink Disc	
REACH47锁紧盘REACH47Shrink Disc	37-38

REACH 01
推荐安装尺寸
Recommended Dimensions:
轴: h8 Shaft: h8
毂: H8 Hub: H8



类似JB/T 7934 Z2标准
Similar to JB/T 7934 Z2 Standard

尺寸 Dimensions					传递的轴向力 Transmitted Axial Force	传递扭矩 Transmitted Torque	接触面压强 Contacting Pressure		DIN912-12.9级锁紧螺钉 DIN912-12.9 Locking Screw		
Φd	ΦD	L1	L2	L			轴Shaft P	毂 Hub P1	数量 n	规格 Size	锁紧扭矩 Locking Torque Ts
mm	mm	mm	mm	mm	KN	Nm	N/mm ²	N/mm ²			
19	47	17	20	26	31	298	286	116	8	M6x18	14.9
20	47	17	20	26	31	313	272	116	8	M6x18	14.9
22	47	17	20	26	31	345	247	116	8	M6x18	14.9
24	50	17	20	26	35	424	255	123	9	M6x18	14.9
25	50	17	20	26	35	441	245	123	9	M6x18	14.9
28	55	17	20	26	39	549	243	124	10	M6x18	14.9
30	55	17	20	26	39	588	227	124	10	M6x18	14.9
32	60	17	20	26	47	752	255	136	12	M6x18	14.9
35	60	17	20	26	47	822	233	136	12	M6x18	14.9
38	65	17	20	26	55	1042	250	146	14	M6x18	14.9
40	65	17	20	26	55	1097	238	146	14	M6x18	14.9
42	75	20	24	32	83	1740	291	163	12	M8x22	35
45	75	20	24	32	83	1864	271	163	12	M8x22	35
48	80	20	24	32	83	1988	254	153	12	M8x22	35
50	80	20	24	32	83	2071	244	153	12	M8x22	35
55	85	20	24	32	97	2658	259	168	14	M8x22	35
60	90	20	24	32	97	2900	238	158	14	M8x22	35
65	95	20	24	32	110	3587	250	171	16	M8x22	35
70	110	24	28	38	153	534 5	268	171	14	M10x25	69
75	115	24	28	38	153	5727	250	163	14	M10x25	69
80	120	24	28	38	153	6108	235	156	14	M10x25	69
85	125	24	28	38	175	7417	252	172	16	M10x25	69
90	130	24	28	38	175	7854	238	165	16	M10x25	69
95	135	24	28	38	196	9326	254	179	18	M10x25	69
100	145	26	33	45	227	11362	258	178	14	M12x30	123.3
110	155	26	33	45	227	12498	234	166	14	M12x30	123.3
120	165	26	33	45	260	15578	245	178	16	M12x30	123.3
130	180	34	38	50	325	21095	217	156	20	M12x35	123.3
140	190	34	38	50	357	24993	221	163	22	M12x35	123.3
150	200	34	38	50	390	29217	225	169	24	M12x35	123.3
160	210	34	38	50	422	33756	229	174	26	M12x35	123.3
170	225	38	44	58	465	39483	212	160	22	M14x40	187
180	235	38	44	58	507	45606	218	167	24	M14x40	187
190	250	46	52	66	591	56163	199	152	28	M14x45	187
200	260	46	52	66	633	63342	203	156	30	M14x45	187
220	285	50	56	72	745	81960	200	154	26	M16X50	290
240	305	50	56	72	860	103162	211	166	30	M16X50	290

ADEPTRANS CADENAS Y TRANSMISIONES

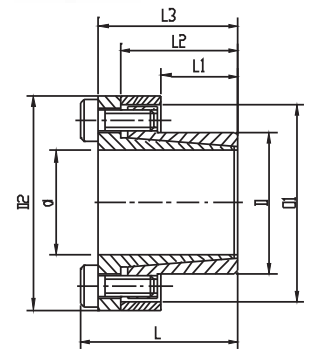


REACH 01 类似JB/T 7934 Z2标准
Similar to JB/T 7934 Z2 Standard

尺寸 Dimensions					传递的轴向力 Transmitted Axial Force	传递扭矩 Transmitted Torque	接触面压强 Contacting Pressure		DIN912-12.9级锁紧螺钉 DIN912-12.9 Locking Screw		
Φd	ΦD	L1	L2	L			轴 Shaft	毂 Hub	数量 n	规格 Size	锁紧扭矩 Locking Torque
mm	mm	mm	mm	mm	P	P1	Ts				
					Ft	Mt	N/mm ²	N/mm ²			Nm
260	325	50	56	72	974	126669	221	177	34	M16X50	290
280	355	60	66	84	1124	157339	197	156	32	M18X60	400
300	375	60	66	84	1264	189653	207	166	36	M18X60	400
320	405	72	78	98	1651	264108	211	167	36	M20X70	580
340	425	72	78	98	1651	280614	199	159	36	M20X70	580
360	455	84	90	112	2017	363061	197	156	36	M22X80	780
380	475	84	90	112	2017	383232	186	149	36	M22X80	780
400	495	84	90	112	2017	403402	177	143	36	M22X80	780
420	515	84	90	112	2241	470633	187	153	40	M22X80	780
440	545	96	102	126	2634	579506	184	148	40	M24X90	1000
460	565	96	102	126	2634	605848	176	143	40	M24X90	1000
480	585	96	102	126	2766	663811	177	145	42	M24X90	1000
500	605	96	102	126	2898	724383	178	147	44	M24X90	1000
520	630	96	102	126	2963	770487	175	144	45	M24X90	1000
540	650	96	102	126	2963	800121	169	140	45	M24X90	1000
560	670	96	102	126	3161	885064	173	145	48	M24X90	1000
580	690	96	102	126	3293	954884	174	147	50	M24X90	1000
600	710	96	102	126	3293	987811	169	142	50	M24X90	1000
620	730	96	102	126	3424	1061550	170	144	52	M24X90	1000
640	750	96	102	126	3556	1137957	171	146	54	M24X90	1000
660	770	96	102	126	3688	1216963	172	147	56	M24X90	1000
680	790	96	102	126	3688	1253841	167	143	56	M24X90	1000
700	810	96	102	126	3951	1382913	173	150	60	M24X90	1000
720	830	96	102	126	3951	1422425	169	146	60	M24X90	1000
740	850	96	102	126	4083	1510688	169	148	62	M24X90	1000
760	870	96	102	126	4215	1601545	170	149	64	M24X90	1000
780	890	96	102	126	4280	1669384	169	148	65	M24X90	1000
800	910	96	102	126	4346	1738541	167	147	66	M24X90	1000
820	930	96	102	126	4478	1835982	168	148	68	M24X90	1000
840	950	96	102	126	4610	1936101	169	149	70	M24X90	1000
860	970	96	102	126	4741	2038809	169	150	72	M24X90	1000
880	990	96	102	126	4873	2144197	170	151	74	M24X90	1000
900	1010	96	102	126	4939	2222575	169	150	75	M24X90	1000
920	1030	96	102	126	5005	2302221	167	149	76	M24X90	1000
940	1050	96	102	126	5137	2414196	168	150	78	M24X90	1000
960	1070	96	102	126	5268	2528755	169	151	80	M24X90	1000
980	1090	96	102	126	5334	2613719	167	150	81	M24X90	1000
1000	1110	96	102	126	5400	2700000	166	149	82	M24X90	1000



REACH 02
推荐安装尺寸:
Recommended Dimensions:
轴: h8 Shaft: 8
毂: H8 Hub: H8



尺寸 Dimensions								传递的轴向力 Transmitted Axial Force	传递扭矩 Transmitted Torque	接触面压强 Contacting Pressure		DIN912-12.9级锁紧螺钉 DIN912-12.9 Locking Screw		
Φd	ΦD	L1	L2	L3	L	ΦD2	ΦD1			轴 Shaft	毂 Hub	数量 n	规格 Size	锁紧扭矩 Locking Torque
mm	mm	mm	mm	mm	mm	mm	mm	P	P1	Ts				
								Ft	Mt	N/mm ²	N/mm ²	Nm		
8	15	12	21	24	28	28	25	10	39	299	159	3	M4x10	4.81
9	16	14	23	27	31	32	28	10	44	227	128	4	M4x12	5.2
10	16	14	23	27	31	32	28	10	49	205	128	4	M4x12	5.2
11	18	14	23	27	31	34	30	10	53	186	114	4	M4x12	5.2
12	18	14	23	27	31	34	30	10	58	171	114	4	M4x12	5.2
14	23	14	23	27	31	39	35	10	68	146	89	4	M4x12	5.2
15	24	16	29	36	42	45	40	16	120	196	123	3	M6x18	17
16	24	16	29	36	42	45	40	16	128	184	123	3	M6x18	13
18	26	18	31	38	44	47	42	21	191	194	134	4	M6x18	17
19	27	18	31	38	44	48	43	21	202	183	129	4	M6x18	17
20	28	18	31	38	44	49	44	21	213	174	124	4	M6x18	15
22	32	25	38	45	51	54	48	21	234	114	78	4	M6x18	17
24	34	25	38	45	51	56	50	21	255	105	74	4	M6x18	17
25	34	25	38	45	51	56	50	21	266	100	74	4	M6x18	17
28	39	25	38	45	51	61	55	27	373	112	81	5	M6x18	17
30	41	25	38	45	51	63	57	32	480	126	92	6	M6x18	17
32	43	30	43	50	56	65	59	32	511	98	73	6	M6x18	17
35	47	30	43	50	56	69	63	43	747	120	89	8	M6x18	17
38	50	30	43	50	56	72	66	43	811	110	84	8	M6x18	17
40	53	32	45	52	58	75	69	48	959	110	83	9	M6x18	17
42	55	32	45	52	58	77	71	48	1007	105	80	9	M6x18	17
45	59	40	56	64	72	85	79	79	1781	130	99	8	M8x22	42
48	62	40	56	64	72	88	82	79	1900	122	94	8	M8x22	42
50	65	50	66	74	82	92	85	99	2473	117	90	10	M8x22	42
55	71	50	66	74	82	98	91	99	2721	106	82	10	M8x22	42
60	77	50	66	74	82	104	97	99	2968	97	76	10	M8x22	42
65	84	50	66	74	82	111	104	99	3215	90	69	10	M8x22	42
70	90	60	80	91	101	122	115	127	4430	89	69	8	M10x25	84
75	95	60	80	91	101	126	119	142	5338	93	74	9	M10x25	84
80	100	65	85	96	106	131	124	190	7595	108	86	12	M10x25	84
85	106	65	85	96	106	137	130	190	8069	101	81	12	M10x25	84
90	112	65	85	96	106	143	136	222	9968	112	90	14	M10x25	84
95	120	65	85	96	106	153	144	222	10522	106	84	14	M10x25	84
100	125	65	89	102	114	162	153	273	13651	124	99	12	M12x30	145
110	140	70	94	107	119	177	168	273	15016	105	82	12	M12x30	145
120	155	90	114	127	139	195	185	364	21844	99	77	16	M12x30	145
130	165	90	114	127	139	205	195	364	23664	92	72	16	M12x30	145
140	175	90	114	127	139	215	205	364	25485	85	68	16	M12x30	145
150	185	90	114	127	139	225	215	364	27305	80	64	16	M12x30	145

ADEPTRANS CADENAS Y TRANSMISIONES



REACH 03

推荐安装尺寸

Recommended Dimensions:

名义尺寸小于等于38mm

Basic Dimension: $\leq 38\text{mm}$

轴: h6 Shaft: h6

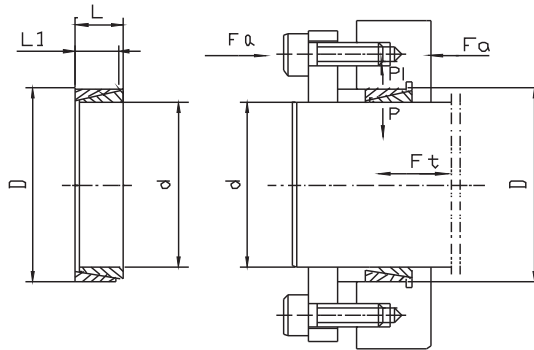
毂: H7 Hub: H7

名义尺寸大于等于40mm

Basic Dimension: $\geq 40\text{mm}$

轴: h8 Shaft: h8

毂: H8 Hub: H8



尺寸 Dimensions				加载的轴向压力 Loaded Axial Pressure	传递的轴向力 Transmitted Axial Force	传递扭矩 Transmitted Torque	接触面压强 Contacting Pressure	
Φd	ΦD	L	L1				轴 Shaft	毂 Hub
mm	mm	mm	mm	KN	KN	Nm	N/mm^2	N/mm^2
*8	11	4.5	3.7	5.0	1.06	4.2	100	70
9	12	4.5	3.7	13.3	1.29	5.8	100	79
10	13	4.5	3.7	14.4	1.53	7.6	100	86
12	15	4.5	3.7	14.5	1.65	9.9	100	80
13	16	4.5	3.7	14.6	1.76	11.5	100	81
14	18	6.3	5.3	23.8	2.70	18.9	100	77
15	19	6.3	5.3	24.3	2.94	22.1	100	79
16	20	6.3	5.3	24.5	3.18	25.4	100	81
17	21	6.3	5.3	24.9	3.29	28.0	100	80
18	22	6.3	5.3	25.3	3.53	31.8	100	82
19	24	6.3	5.3	29.7	3.76	35.8	100	80
20	25	6.3	5.3	30.1	3.88	38.8	100	79
22	26	6.3	5.3	28.9	4.35	47.9	100	86
24	28	6.3	5.3	30.0	4.70	56.4	100	86
25	30	6.3	5.3	32.4	4.94	61.7	100	84
28	32	6.3	5.3	32.6	5.53	77.4	100	88
30	35	6.3	5.3	35.5	5.88	88.2	100	86
32	36	6.3	5.3	36.7	6.23	100	100	88
35	40	7.0	6.0	45.7	7.76	136	100	88
36	42	7.0	6.0	48.2	8.00	144	100	86
38	44	7.0	6.0	49.7	8.47	161	100	87
40	45	8.0	6.6	58.8	9.8	195	100	89
42	48	8.0	6.6	62.6	10.2	215	100	87
45	52	10.0	8.6	92.2	14.3	323	100	87
48	55	10.0	8.6	94.6	15.3	367	100	88
50	57	10.0	8.6	96.5	15.9	397	100	88
55	62	10.0	8.6	101.8	17.4	479	100	88
56	64	12.0	10.4	128.4	21.5	603	100	88
60	68	12.0	10.4	133.4	23.0	691	100	88
63	71	12.0	10.4	137.3	24.2	763	100	89
65	73	12.0	10.4	140.4	25.0	814	100	89

尺寸 Dimensions				加载的轴向压力 Loaded Axial Pressure	传递的轴向力 Transmitted Axial Force	传递扭矩 Transmitted Torque	接触面压强 Contacting Pressure	
Φd	ΦD	L	L1				轴 Shaft	毂 Hub
mm	mm	mm	mm	KN	KN	Nm	N/mm^2	N/mm^2
70	79	14.0	12.2	176.0	31.6	1107	100	89
71	80	14.0	12.2	178.0	32.0	1136	100	89
75	84	14.0	12.2	189.6	33.8	1266	100	89
80	91	17.0	15.0	251.0	44.2	1769	100	88
90	101	17.0	15.0	272.4	49.9	2244	100	89
100	114	21.0	18.7	377.7	69.0	3452	100	88
110	124	21.0	18.7	415.0	76.0	4178	100	89
120	134	21.0	18.7	440.2	82.8	4967	100	89
130	148	28.0	25.3	654.2	121	7896	100	88
140	158	28.0	25.3	689.0	131	9146	100	89
150	168	28.0	25.3	727.5	140	10505	100	89
160	178	28.0	25.3	764.5	149	11948	100	90
170	191	33.0	30.0	982.5	188	16014	100	89
180	201	33.0	30.0	1027.2	199	17950	100	90
190	211	33.0	30.0	1071.0	210	19987	100	90
200	224	38.0	34.8	1314.0	257	25696	100	89
210	234	38.0	34.8	1366.0	270	28326	100	90
220	244	38.0	34.8	1420.0	283	31098	100	90
230	257	43.0	39.5	1705.0	335	38570	100	89
240	267	43.0	39.5	1767.5	351	42068	100	90
250	280	48.0	44.0	2060.0	407	50906	100	90
260	290	48.0	44.0	2132.0	425	55205	100	90
270	300	48.0	44.0	2207.0	442	59678	100	91
280	313	53.0	49.0	2536.0	507	71042	100	90
290	323	53.0	49.0	2632.0	525	76103	100	90
300	333	53.0	49.0	2704.0	542	81338	100	90
320	360	65.0	59.0	3492.0	697	111504	100	89
340	380	65.0	59.0	3672.0	740	125870	100	89
360	400	65.0	59.0	3858.0	784	141106	100	90
380	420	65.0	59.0	4069.0	828	157235	100	90
400	440	65.0	59.0	4256.0	871	174213	100	91
420	460	65.0	59.0	4444.0	915	192085	100	91
440	480	65.0	59.0	4634.0	958	210805	100	92

*内、外环有开槽

*The inner and outer rings are grooved

ADEPTRANS CADENAS Y TRANSMISIONES



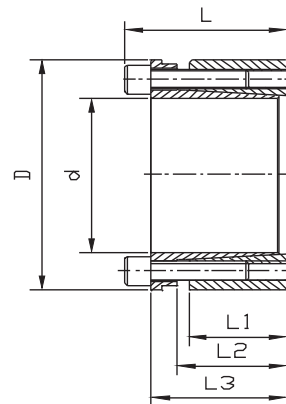
REACH 04

推荐安装尺寸:

Recommended Dimensions:

轴: h8 Shaft: h8

毂: H8 Hub: H8



尺寸 Dimensions						传递的轴向力 Transmitted Axial Force	传递扭矩 Transmitted Torque	接触面压强 Contacting Pressure		DIN912-12.9级锁紧螺钉 DIN912-12.9 Locking Screw		
Φd	ΦD	L1	L2	L3	L			轴 Shaft	毂 Hub	数量 n	规格 Size	锁紧扭矩 Locking Torque
mm	mm	mm	mm	mm	mm	KN	Nm	N/mm ²	N/mm ²		Nm	
19	47	26	31	39	45	32	307	193	78	4	M6x25	17
20	47	26	31	39	45	32	323	183	78	4	M6x25	17
22	47	26	31	39	45	32	355	166	78	4	M6x25	17
24	50	26	31	39	45	48	582	229	110	6	M6x25	17
25	50	26	31	39	45	48	606	220	110	6	M6x25	17
28	55	26	31	39	45	48	679	196	100	6	M6x25	17
30	55	26	31	39	45	48	727	183	100	6	M6x25	17
32	60	26	31	39	45	65	1033	229	122	8	M6x25	17
35	60	26	31	39	45	65	1130	209	122	8	M6x25	17
38	65	26	31	39	45	65	1227	193	113	8	M6x25	17
40	65	26	31	39	45	65	1292	183	113	8	M6x25	17
42	75	30	36	47	55	87	1835	204	115	6	M8x30	41
45	75	30	36	47	55	87	1966	191	115	6	M8x30	41
48	80	30	36	47	55	87	2097	179	107	6	M8x30	41
50	80	30	36	47	55	87	2184	172	107	6	M8x30	41
55	85	30	36	47	55	116	3202	208	135	8	M8x30	41
60	90	30	36	47	55	116	3493	191	127	8	M8x30	41
65	95	30	36	47	55	116	3784	176	120	8	M8x30	41
70	110	40	46	57	67	189	6607	199	127	8	M10x35	83
75	115	40	46	62	72	189	7079	186	121	8	M10x35	83
80	120	40	46	62	72	189	7551	174	116	8	M10x35	83
85	125	40	46	62	72	236	10029	205	139	10	M10x35	83
90	130	40	46	62	72	236	10619	193	134	10	M10x35	83
95	135	40	46	62	72	236	11209	183	129	10	M10x35	83
100	145	46	52	77	89	275	13738	176	121	8	M12x45	145
110	155	46	52	77	89	275	15111	160	114	8	M12x45	145
120	165	46	52	77	89	343	20606	183	133	10	M12x45	145
130	180	46	52	77	89	412	26788	203	147	12	M12x45	145
140	190	51	59	84	98	373	26142	154	114	8	M14x45	230
150	200	51	59	84	98	467	35016	180	135	10	M14x45	230
160	210	51	59	84	98	467	37351	169	129	10	M14x45	230
170	225	51	59	84	98	560	47617	191	144	12	M14x45	230

尺寸 Dimensions						传递的轴向力 Transmitted Axial Force	传递扭矩 Transmitted Torque	接触面压强 Contacting Pressure		DIN912-12.9级锁紧螺钉 DIN912-12.9 Locking Screw		
Φd	ΦD	L1	L2	L3	L			轴 Shaft	毂 Hub	数量 n	规格 Size	锁紧扭矩 Locking Torque
mm	mm	mm	mm	mm	mm	KN	Nm	N/mm ²	N/mm ²		Nm	
180	235	51	59	84	98	560	50418	180	138	12	M14x45	230
190	250	51	59	84	98	700	66526	213	162	15	M14x45	230
200	260	51	59	84	98	700	70027	202	156	15	M14x45	230
220	285	64	72	100	116	757	83243	158	122	12	M16X60	355
240	305	64	72	100	116	946	113517	182	143	15	M16X60	355
260	325	64	72	100	116	1135	147560	201	161	18	M16X60	355
280	355	75	83	123	141	1226	171582	172	136	16	M18X80	485
300	375	75	83	123	141	1379	206809	181	145	18	M18X80	485
320	405	90	98	142	162	1766	282493	181	143	18	M20X100	690
340	425	90	98	142	162	2060	350180	199	159	21	M20X100	690
360	455	110	118	166	188	2164	389480	161	127	18	M22X110	930
380	475	110	118	166	188	2524	479634	178	142	21	M22X110	930
400	495	100	118	166	188	2524	504878	186	150	21	M22X110	930

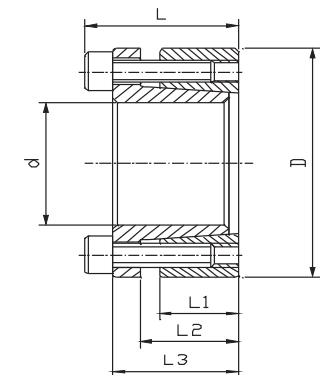
REACH 05

推荐安装尺寸:

Recommended Dimensions:

轴: h8 Shaft: h8

毂: H8 Hub: H8



尺寸 Dimensions						传递的轴向力 Transmitted Axial Force	传递扭矩 Transmitted Torque	接触面压强 Contacting Pressure		DIN912-12.9级锁紧螺钉 DIN912-12.9 Locking Screw		
Φd	ΦD	L1	L2	L3	L			轴 Shaft	毂 Hub	数量 n	规格 Size	锁紧扭矩 Locking Torque
mm	mm	mm	mm	mm	mm	KN	Nm	N/mm ²	N/mm ²		Nm	
19	47	17	22	28	34	29	273	262	106	5	M6x20	13
20	47	17	22	28	34	29	287	249	106	5	M6x20	13
22	47	17	22	28	34	29	316	227	106	5	M6x20	13
24	50	17	22	28	34	34	413	249	120	6	M6x20	13
25	50	17	22	28	34	34	431	239	120	6	M6x20	13
28	55	17	22	28	34	34	482	213	109	6	M6x20	13
30	55	17	22	28	34	34	517	199	109	6	M6x20	13
32	60	17	22	28	34	46	734	249	133	8	M6x20	13
35	60	17	22	28	34	46	803	227	133	8	M6x20	13
38	65	17	22	28	34	46	872	210	122	8	M6x20	13

ADEPTRANS CADENAS Y TRANSMISIONES

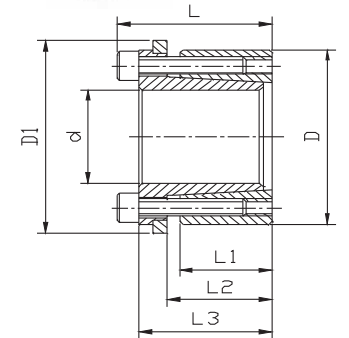


REACH 05

尺寸 Dimensions						传递的轴向力 Transmitted Axial Force	传递扭矩 Transmitted Torque	接触面压强 Contacting Pressure		DIN912-12.9级锁紧螺钉 DIN912-12.9 Locking Screw		
Φd	ΦD	L1	L2	L3	L			Ft	Mt	轴 Shaft	毂 Hub	数量 n
mm	mm	mm	mm	mm	mm	KN	Nm	N/mm ²	N/mm ²			Nm
40	65	17	22	28	34	46	918	199	122	8	M6x20	13
42	75	20	25	33	41	74	1563	261	146	7	M8x25	32
45	75	20	25	33	41	74	1674	244	146	7	M8x25	32
50	80	20	25	33	41	74	1860	219	137	7	M8x25	32
55	85	20	25	33	41	85	2340	228	148	8	M8x25	32
60	90	20	25	33	41	85	2553	209	139	8	M8x25	32
65	95	20	25	33	41	96	3110	217	149	9	M8x25	32
70	110	24	30	40	50	138	4838	243	154	8	M10x30	36
75	115	24	30	40	50	138	5184	226	148	8	M10x30	65
80	120	24	30	40	50	138	5530	212	142	8	M10x30	65
85	125	24	30	40	50	156	6610	225	153	9	M10x30	65
90	130	24	30	40	50	156	6998	212	147	9	M10x30	65
95	135	24	30	40	50	173	8208	223	157	10	M10x30	65
100	145	26	32	44	56	195	9742	221	152	8	M12x35	110
110	155	26	32	44	56	195	10716	201	143	8	M12x35	110
120	165	26	32	44	56	219	13154	207	151	9	M12x35	110
130	180	34	40	52	64	292	18996	195	141	12	M12x35	110
140	190	34	40	54	68	291	20336	180	133	9	M14x40	170
150	200	34	40	54	68	323	24211	187	140	10	M14x40	170
160	210	34	40	54	68	355	28408	192	147	11	M14x40	170
170	225	44	50	64	78	387	32929	153	115	12	M14x40	170
180	235	44	50	64	78	387	34866	144	110	12	M14x40	170
190	250	44	50	64	78	484	45996	171	130	15	M14x40	170
200	260	44	50	64	78	484	48416	162	125	15	M14x40	170
220	285	50	56	75	91	548	60291	147	113	12	M16x50	275
240	305	50	56	75	91	685	82218	168	132	15	M16x50	275
260	325	50	56	75	91	731	95009	166	133	16	M16x50	275
280	355	60	66	87	105	910	127341	160	126	16	M18x50	385
300	375	60	66	87	105	1023	153479	168	134	18	M18x50	385
320	405	74	81	101	121	1388	222065	140	110	18	M20x50	580
340	425	74	81	101	121	1619	275271	153	123	21	M20x50	580
360	455	86	94	116	138	1697	305480	131	104	18	M22x60	780
380	475	86	94	116	138	1980	376193	145	116	21	M22x60	780
400	495	86	94	116	138	1980	395993	137	111	21	M22x60	780

REACH 06

推荐安装尺寸:
Recommended Dimensions:
轴: h8 Shaft: h8
毂: H8 Hub: H8



尺寸 Dimensions							传递的轴向力 Transmitted Axial Force	传递扭矩 Transmitted Torque	接触面压强 Contacting Pressure		DIN912-12.9级锁紧螺钉 DIN912-12.9 Locking Screw		
Φd	ΦD	ΦD1	L1	L2	L3	L			Ft	Mt	轴 Shaft	毂 Hub	数量 n
mm	mm	mm	mm	mm	mm	mm	KN	Nm	N/mm ²	N/mm ²			Nm
19	47	53	26	31	39	45	21	202	127	51	4	M6x20	17
20	47	53	26	31	39	45	21	213	121	51	4	M6x20	17
22	47	53	26	31	39	45	21	234	110	51	4	M6x20	17
24	50	56	26	31	39	45	32	384	151	73	6	M6x20	17
25	50	56	26	31	39	45	32	400	145	73	6	M6x20	17
28	55	61	26	31	39	45	32	448	129	66	6	M6x20	17
30	55	61	26	31	39	45	32	480	121	66	6	M6x20	17
32	60	66	26	31	39	45	43	683	151	81	8	M6x20	17
35	60	66	26	31	39	45	43	747	138	81	8	M6x20	17
38	65	71	26	31	39	45	43	811	127	74	8	M6x20	17
40	65	71	26	31	39	45	43	853	121	74	8	M6x20	17
42	75	81	30	36	47	55	58	1216	135	76	6	M8x30	41
45	75	81	30	36	47	55	58	1302	126	76	6	M8x30	41
48	80	86	30	36	47	55	58	1389	119	71	6	M8x30	41
50	80	86	30	36	47	55	58	1447	114	71	6	M8x30	41
55	85	91	30	36	47	55	77	2124	138	89	8	M8x30	41
60	90	96	30	36	47	55	77	2317	127	84	8	M8x30	41
65	95	101	30	36	47	55	77	2510	117	80	8	M8x30	41
70	110	116	40	46	57	67	125	4381	132	84	8	M10x35	83
75	115	121	40	46	62	72	125	4694	123	80	8	M10x35	83
80	120	126	40	46	62	72	125	5007	115	77	8	M10x35	83
85	125	131	40	46	62	72	156	6651	136	92	10	M10x35	83
90	130	136	40	46	62	72	156	7042	128	89	10	M10x35	83
95	135	141	40	46	62	72	156	7433	121	85	10	M10x35	83
100	145	151	46	52	77	89	182	9104	117	81	8	M12x45	145
110	155	161	46	52	77	89	182	10015	106	75	8	M12x45	145
120	165	171	46	52	77	89	228	13653	122	88	10	M12x45	145
130	180	186	46	52	77	89	273	17747	135	97	12	M12x45	145
140	190	196	51	59	84	98	248	17328	102	75	8	M14x45	230
150	200	206	51	59	84	98	309	23207	119	89	10	M14x45	230
160	210	216	51	59	84	98	309	24754	112	85	10	M14x45	230
170	225	231	51	59	84	98	371	31561	126	95	12	M14x45	230
180	235	241	51	59	84	98	371	33417	119	91	12	M14x45	230
190	250	256	51	59	84	98	464	44097	141	107	15	M14x45	230

ADEPTRANS CADENAS Y TRANSMISIONES

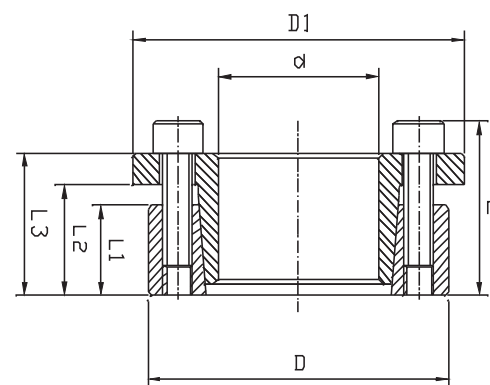


REACH 06

尺寸 Dimensions							传递的轴向力 Transmitted Axial Force	传递扭矩 Transmitted Torque	接触面压强 Contacting Pressure		DIN912-12.9级锁紧螺钉 DIN912-12.9 Locking Screw		
Φd	ΦD	ΦD1	L1	L2	L3	L			Ft	Mt	轴 Shaft	毂 Hub	数量 n
mm	mm	mm	mm	mm	mm	mm	KN	Nm	N/mm ²	N/mm ²			Ts Nm
200	260	266	51	59	84	98	464	46418	134	103	15	M14x45	230
220	285	291	64	72	100	116	501	55147	105	81	12	M16X60	355
240	305	311	64	72	100	116	627	75207	120	95	15	M16X60	355
260	325	331	64	72	100	116	752	97775	133	107	18	M16X60	355
280	355	361	75	83	123	141	812	113657	114	90	16	M18X80	485
300	375	381	75	83	123	141	913	136987	120	96	18	M18X80	485
320	405	411	90	98	142	162	1170	187177	120	95	18	M20X100	690
340	425	431	90	98	142	162	1365	232015	132	105	21	M20X100	690
360	455	461	110	118	166	188	1433	257988	107	84	18	M22X110	930
380	475	481	110	118	166	188	1672	317711	118	94	21	M22X110	930
400	495	501	100	118	166	188	1672	334433	123	100	21	M22X110	930

REACH 07

推荐安装尺寸:
Recommended Dimensions:
轴: h8 Shaft: h8
毂: H8 Hub: H8



尺寸 Dimensions							传递的轴向力 Transmitted Axial Force	传递扭矩 Transmitted Torque	接触面压强 Contacting Pressure		DIN912-12.9级锁紧螺钉 DIN912-12.9 Locking Screw		
Φd	ΦD	ΦD1	L1	L2	L3	L			Ft	Mt	轴 Shaft	毂 Hub	数量 n
mm	mm	mm	mm	mm	mm	mm	KN	Nm	N/mm ²	N/mm ²			Ts Nm
19	47	56	17	22	28	34	26	243	234	94	5	M6x20	17
20	47	56	17	22	28	34	26	256	222	94	5	M6x20	17
22	47	56	17	22	28	34	26	282	202	94	5	M6x20	17
24	50	59	17	22	28	34	31	368	222	106	6	M6x20	17
25	50	59	17	22	28	34	31	383	213	106	6	M6x20	17
28	55	64	17	22	28	34	31	429	190	97	6	M6x20	17
30	55	64	17	22	28	34	31	460	177	97	6	M6x20	17
32	60	69	17	22	28	34	41	655	222	118	8	M6x20	17
35	60	69	17	22	28	34	41	716	203	118	8	M6x20	17
38	65	74	17	22	28	34	41	778	187	109	8	M6x20	17
40	65	74	17	22	28	34	41	819	178	109	8	M6x20	17

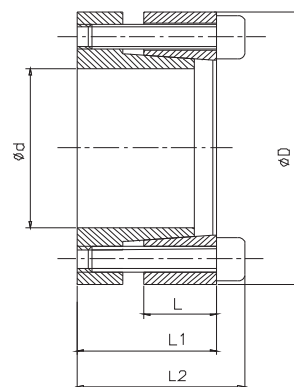


尺寸 Dimensions							传递的轴向力 Transmitted Axial Force	传递扭矩 Transmitted Torque	接触面压强 Contacting Pressure		DIN912-12.9级锁紧螺钉 DIN912-12.9 Locking Screw		
Φd	ΦD	ΦD1	L1	L2	L3	L			Ft	Mt	轴 Shaft	毂 Hub	数量 n
mm	mm	mm	mm	mm	mm	mm	KN	Nm	N/mm ²	N/mm ²			Ts Nm
42	75	84	20	25	33	41	65	1361	227	127	7	M8x25	41
45	75	84	20	25	33	41	65	1458	212	127	7	M8x25	41
50	80	89	20	25	33	41	65	1620	191	119	7	M8x25	41
55	85	94	20	25	33	41	74	2037	199	129	8	M8x25	41
60	90	99	20	25	33	41	74	2223	182	121	8	M8x25	41
65	95	104	20	25	33	41	83	2710	189	129	9	M8x25	41
70	110	119	24	30	40	50	120	4203	211	134	8	M10x30	83
75	115	124	24	30	40	50	120	4754	197	128	8	M10x30	83
80	120	129	24	30	40	50	120	4804	184	123	8	M10x30	83
85	125	134	24	30	40	50	135	5742	195	133	9	M10x30	83
90	130	139	24	30	40	50	135	6080	184	128	9	M10x30	83
95	135	144	24	30	40	50	150	7131	194	137	10	M10x30	83
100	145	154	26	32	44	56	175	8732	198	137	8	M12x35	145
110	155	164	26	32	44	56	175	9605	180	128	8	M12x35	145
120	165	174	26	32	44	56	196	11787	186	135	9	M12x35	145
130	180	189	34	40	52	64	262	17024	175	126	12	M12x35	145
140	190	199	34	40	54	68	267	18703	166	122	9	M14x40	230
150	200	209	34	40	54	68	297	22259	172	129	10	M14x40	230
160	210	219	34	40	54	68	326	26119	177	135	11	M14x40	230
170	225	234	44	50	64	78	356	30276	140	106	12	M14x40	230
180	235	244	44	50	64	78	356	32057	133	102	12	M14x40	230
190	250	259	44	50	64	78	445	42302	157	119	15	M14x40	230
200	260	269	44	50	64	78	445	44528	149	115	15	M14x40	230
220	285	295	50	56	75	91	481	52902	129	100	12	M16x50	355
240	305	315	50	56	75	91	601	72135	148	116	15	M16x50	355
260	325	335	50	56	75	91	641	83370	145	116	16	M16x50	355
280	355	365	60	66	87	105	803	112463	141	111	16	M18x50	500
300	375	385	60	66	87	105	904	135562	148	118	18	M18x50	500
320	405	414	74	81	101	121	1234	197493	140	110	18	M20x50	690
340	425	434	74	81	101	121	1440	244816	153	123	21	M20x50	690
360	455	464	86	94	116	138	1512	272218	131	104	18	M22x60	930
380	475	484	86	94	116	138	1764	335239	145	116	21	M22x60	930
400	495	504	86	94	116	138	1764	352884	137	111	21	M22x60	930

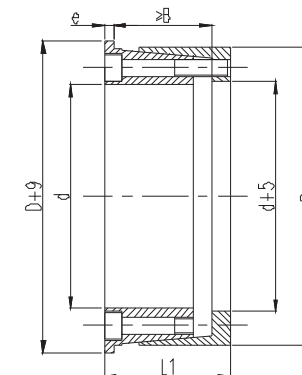
ADEPTRANS CADENAS Y TRANSMISIONES



REACH 11
推荐安装尺寸:
Recommended Dimensions:
轴: h8 Shaft: h8
毂: H8 Hub: H8



REACH 12
推荐安装尺寸:
轴: h8 Shaft: h8
毂: H8 Hub: H8



类似JB/T 7934 Z9标准
Similar to JB/T 7934 Standard

尺寸 Dimensions					传递的轴向力 Transmitted Axial Force	传递扭矩 Transmitted Torque	接触面压强 Contacting Pressure		DIN912-12.9级锁紧螺钉 DIN912-12.9 Locking Screw		
ϕd	ϕD	L	L1	L2			轴Shaft	毂 Hub	数量 n	规格 Size	锁紧扭矩 Locking Torque
mm	mm	mm	mm	mm	Ft KN	Mt Nm	P N/mm ²	P1 N/mm ²		规格 Size	Ts Nm
20	47	14	28	34	29	294	328	139	5	M6x25	13
22	47	14	28	34	29	323	298	139	5	M6x25	13
24	50	14	28	34	38	455	353	169	6	M6x25	14
25	50	14	28	34	38	474	338	169	6	M6x25	14
30	55	14	28	34	38	569	282	154	6	M6x25	14
35	60	14	28	34	51	885	322	188	8	M6x25	14
38	65	14	28	34	51	961	297	174	8	M6x25	14
40	65	14	28	34	51	1012	282	174	8	M6x25	14
42	75	18	35	43	76	1594	313	176	7	M8x30	32
45	75	18	35	43	76	1707	293	176	7	M8x30	32
50	80	18	35	43	76	1897	263	165	7	M8x30	32
55	85	18	35	43	87	2387	274	177	8	M8x30	32
60	90	18	35	43	87	2604	251	167	8	M8x30	32
65	95	18	35	43	98	3172	260	178	9	M8x30	32
70	110	24	46	56	141	4937	262	167	8	M10x40	65

尺寸 Dimensions					传递的轴向力 Transmitted Axial Force	传递扭矩 Transmitted Torque	接触面压强 Contacting Pressure		DIN912-12.9级锁紧螺钉 DIN912-12.9 Locking Screw		
ϕd	ϕD	L	L1	L2			轴Shaft	毂 Hub	数量 n	规格 Size	锁紧扭矩 Locking Torque
mm	mm	mm	mm	mm	Ft KN	Mt KNm	P N/mm ²	P1 N/mm ²		规格 Size	Ts Nm
100	145	75	5	65	192	9.6	102	70	8	M12x60	145
110	155	75	5	65	191	10.5	93	66	8	M12x60	145
120	165	75	5	65	216	13	96	70	9	M12x60	145
130	180	84	6	72	287	17.8	100	78	12	M12x70	145
140	190	84	6	72	287	20.2	94	69	12	M12x70	145
150	200	84	6	72	287	21.6	88	66	12	M12x70	145
160	210	84	6	72	360	28.8	101	77	15	M12x70	145
170	225	84	6	72	383	32.6	101	76	16	M12x70	145
180	235	84	6	72	431	38.8	108	82	18	M12x70	145
190	250	94	6	81	493	46.8	106	80	15	M14x75	230
200	260	94	6	81	526	52.8	100	77	16	M14x75	230
220	285	94	6	81	640	70	119	92	14	M16x75	355
240	305	112	7	98	731	88	96	75	16	M16x90	355
260	325	112	7	98	822	107	103	82	18	M16x90	355
280	355	120	8	106	910	128	96	75	20	M16x100	355
300	375	120	8	106	1000	151	99	79	22	M16x100	355
320	405	142	8	125	1280	206	101	80	18	M20x120	690
340	425	142	8	125	1420	242	106	85	20	M20x120	690
360	455	159	8	140	1770	319	113	89	20	M22x130	930
380	475	159	8	140	1770	337	109	87	20	M22x130	930
400	485	159	8	140	1770	355	101	83	20	M22x130	930
420	515	159	8	140	1980	410	107	87	22	M22x130	930

ADEPTRANS CADENAS Y TRANSMISIONES



REACH 13

推荐安装尺寸:

Recommended Dimensions:

轴: h8 Shaft: h8

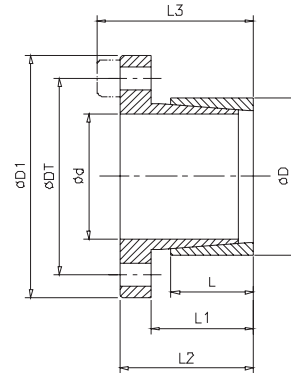
毂: H8 Hub: H8

符合JB/T7934 Z14胀套

Satisfy JB/T7934 Z14 Locking Device

标准胀套不含螺栓,如需要螺栓请特别提出

The standard locking device doesn't include bolts. Please contact us if you need.



尺寸 Dimensions								传递的轴向力 Transmitted Axial Force	传递扭矩 Transmitted Torque	接触面压强 Contacting Pressure		DIN912锁紧螺钉8.8级(1) DIN912 Locking Screw 8.8 (1)		
Φd	ΦD	ΦD1	ΦDT	L	L1	L2	L3			轴 Shaft	毂 Hub	数量 n	规格 Size	锁紧扭矩 Locking Torque
mm	mm	mm	mm	mm	mm	mm	mm	Ft	Mt	P	P1	Ts		
								KN	Nm	N/mm ²	N/mm ²	Nm		
14								9	64	109	0	4	M4	2.9
16							73		96					
18	25	42	33	16	20	26	30		82	85				
19									87	81				
20								15	152	127	65	4	M5	6
22	30	50	39	16	20	26	31		167	116				
24									182	106				
25								15	190	102	57	4	M5	6
28	36	55	45	16	20	26	31		213	91				
30									228	85				
32								5	243	80	50	4	M5	6
35	42	62	51	16	20	28	33		266	73				
36									274	71				
38	44	66	54	16	20	28	34	21	400	93	65	4	M6	10
40								21	421	88	61	4	M6	10
42	48	70	58	16	20	28	34		442	84				
45								40	890	118	79	4	M8	25
48	55	82	67	20	25	35	43		949	110				
50								40	989	106	72	4	M8	25
55	62	89	74	20	25	35	43		1088	96				
60								40	1187	88	63	4	M8	25
65	72	99	84	20	25	35	43		1286	82				



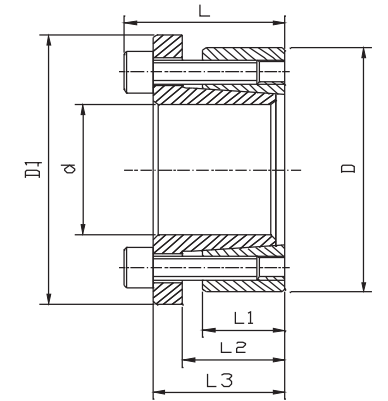
REACH 15

推荐安装尺寸:

Recommended Dimensions:

轴: h8 Shaft: h8

毂: H8 Hub: H8



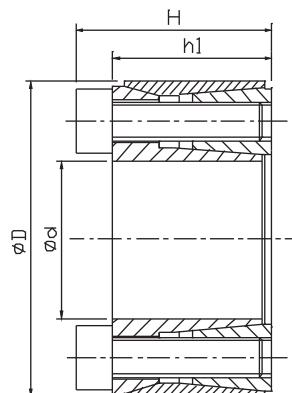
尺寸 Dimensions							传递的轴向力 Transmitted Axial Force	传递扭矩 Transmitted Torque	接触面压强 Contacting Pressure		DIN912-12.9级锁紧螺钉 DIN912-12.9 Locking Screw		
Φd	ΦD	ΦD1	L1	L2	L3	L			轴 Shaft	毂 Hub	数量 n	规格 Size	锁紧扭矩 Locking Torque
mm	mm	mm	mm	mm	mm	mm	Ft	Mt	P	P1	Ts		
							KN	Nm	N/mm ²	N/mm ²	Nm		
14	55	62	17	22	30	38	33	234	415	106	4	M8x25	37
16	55	62	17	22	30	38	33	268	363	106	4	M8x25	37
18	55	62	17	22	30	38	37	333	357	117	4	M8x25	41
19	55	62	17	22	30	38	37	352	338	117	4	M8x25	41
20	55	62	17	22	30	38	37	370	321	117	4	M8x25	41
22	55	62	17	22	30	38	37	407	292	117	4	M8x25	41
24	55	62	17	22	30	38	37	445	268	117	4	M8x25	41
25	55	62	17	22	30	38	37	463	257	117	4	M8x25	41
28	55	62	17	22	30	38	37	519	229	117	4	M8x25	41
30	55	62	17	22	30	38	37	556	214	117	4	M8x25	41
24	65	72	17	22	30	38	46	556	335	124	5	M8x25	41
25	65	72	17	22	30	38	46	579	321	124	5	M8x25	41
28	65	72	17	22	30	38	46	649	287	124	5	M8x25	41
30	65	72	17	22	30	38	46	695	268	124	5	M8x25	41
32	65	72	17	22	30	38	46	741	251	124	5	M8x25	41
35	65	72	17	22	30	38	46	811	230	124	5	M8x25	41
38	65	72	17	22	30	38	46	917	211	124	5	M8x25	41
40	65	72	17	22	30	38	46	966	201	124	5	M8x25	41
30	80	87	20	25	33	41	65	972	318	119	7	M8x25	41
32	80	87	20	25	33	41	65	1037	299	119	7	M8x25	41
35	80	87	20	25	33	41	65	1134	273	119	7	M8x25	41
38	80	87	20	25	33	41	65	1231	251	119	7	M8x25	41
40	80	87	20	25	33	41	65	1296	239	119	7	M8x25	41
42	80	87	20	25	33	41	65	1361	227	119	7	M8x25	41
45	80	87	20	25	33	41	65	1458	212	119	7	M8x25	41
48	80	87	20	25	33	41	65	1555	199	119	7	M8x25	41
50	80	87	20	25	33	41	65	1620	191	119	7	M8x25	41

ADEPTRANS CADENAS Y TRANSMISIONES



REACH 16

推荐安装尺寸:
Recommended Dimensions:
轴: h8 Shaft: h8
毂: H8 Hub: H8

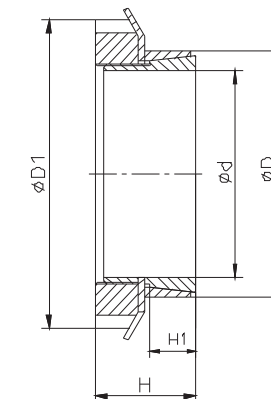


尺寸 Dimensions				传递的轴向力 Transmitted Axial Force	传递扭矩 Transmitted Torque	接触面压强 Contacting Pressure		DIN912-12.9级锁紧螺钉 DIN912-12.9 Locking Screw		
Φd	ΦD	H	h1			轴 Shaft	毂 Hub	数量 n	规格 Size	锁紧扭矩 Locking Torque
mm	mm	mm	mm	Ft	Mt	P	P1			Ts
				KN	Nm	N/mm ²	N/mm ²	Nm		
16	32	22	18	8	66	93	47	4	M4x16	5.1
18	40	24	18	18	165	185	83	4	M6x16	17
19	41	24	18	18	174	176	81	4	M6x16	17
20	42	24	18	18	183	167	79	4	M6x16	17
22	44	24	18	18	201	152	76	4	M6x16	17
24	46	24	18	27	329	209	109	6	M6x16	17
25	47	24	18	27	343	200	106	6	M6x16	17
28	50	24	18	27	384	179	100	6	M6x16	17
30	52	24	18	27	412	167	96	6	M6x16	17
32	54	24	18	27	439	156	93	6	M6x16	17
35	57	28	21.5	27	480	117	72	6	M6x18	17
36	58	28	21.5	36.5	659	151	94	8	M6x18	17
38	60	28	21.5	36.5	695	143	91	8	M6x18	17
40	62	28	21.5	36.5	732	136	88	8	M6x18	17
42	70	36	28	68	1427	185	111	8	M8x25	42
45	73	36	28	68	1529	172	106	8	M8x25	42
48	76	36	28	68	1631	161	102	8	M8x25	42
50	78	36	28	68	1699	155	99	8	M8x25	42
55	83	36	28	68	1869	141	93	8	M8x25	42
60	88	36	28	68	2039	129	88	8	M8x25	42
65	93	45	35	68	2208	93	65	8	M8x25	42
70	105	45	35	107	3759	137	91	8	M10x30	83
75	110	45	35	107	4027	128	87	8	M10x30	83
80	115	45	35	107	4296	120	83	8	M10x30	83
85	120	45	35	134	5705	141	100	10	M10x30	83
90	125	45	35	134	6041	133	96	10	M10x30	83
100	138	45	35	134	6712	120	87	10	M10x30	83



REACH 17

推荐安装尺寸:
Recommended Dimensions:
轴: h8 Shaft: h8
毂: H8 Hub: H8



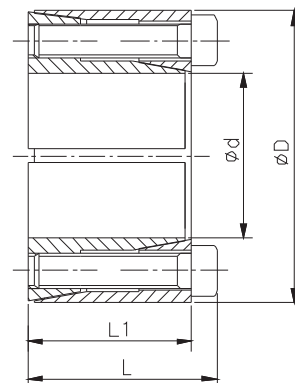
尺寸 Dimensions					传递的轴向力 Transmitted Axial Force	传递扭矩 Transmitted Torque	接触面压强 Contacting Pressure		开槽螺母 Slotted Nut		
d	D	D1	H	h1			轴 Shaft	毂 Hub	数量 n	规格 Size	锁紧扭矩 Locking Torque
mm	mm	mm	mm	mm	Ft	Mt	P	P1			Ts
					KN	Nm	N/mm ²	N/mm ²	Nm		
14	25	32	17	6.5	7	52	241	135	1	M20x1	95
15	25	32	17	6.5	7	56	225	135	1	M20x1	95
16	25	32	17	6.5	7	60	211	135	1	M20x1	95
18	30	38	17.5	6.5	10	91	256	154	1	M25x1.5	160
19	30	38	18	6.5	10	96	242	154	1	M25x1.5	160
20	30	38	18	6.5	10	102	230	154	1	M25x1.5	160
24	35	45	18	6.5	12	139	218	150	1	M30x1.5	220
25	35	45	18	6.5	12	144	210	150	1	M30x1.5	220
28	40	52	18	6.5	15	215	248	174	1	M35x1.5	340
30	40	52	20	8	15	230	188	141	1	M35x1.5	340
35	45	58	22	8	19	331	199	155	1	M40x1.5	480
40	50	65	25	10	24	477	176	141	1	M45x1.5	680
45	55	70	26	10	27	617	180	147	1	M50x1.5	870
48	60	75	26	10	28	669	171	137	1	M55x2	970
50	60	75	26	10	28	697	164	137	1	M55x2	970
55	65	80	27	12	29	796	129	109	1	M60x2	1100
60	70	85	29	12	32	946	129	111	1	M65x2	1300

ADEPTRANS CADENAS Y TRANSMISIONES



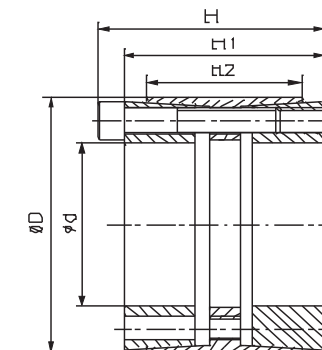
REACH 18

推荐安装尺寸:
Recommended Dimensions:
轴: h8 Shaft: h8
毂: H8 Hub: H8



REACH 19

推荐安装尺寸:
Recommended Dimensions:
轴: h8 Shaft: h8
毂: H8 Hub: H8



尺寸 Dimensions				传递的轴向力 Transmitted Axial Force	传递扭矩 Transmitted Torque	接触面压强 Contacting Pressure		DIN912-12.9级锁紧螺钉 DIN912-12.9 Locking Screw		
d	D	L	L1			轴 Shaft	毂 Hub	数量 n	规格 Size	锁紧扭矩 Locking Torque
mm	mm	mm	mm	Ft	Mt	P	P1		规格 Size	锁紧扭矩 Locking Torque
				KN	Nm	N/mm ²	N/mm ²			Nm
10	20	15.5	13	3.8	19	89	45	4	M2.5X12	1.2
11	22	15.5	13	3.8	21	81	41	4	M2.5X12	1.2
12	22	15.5	13	3.8	23	75	41	4	M2.5X12	1.2
14	26	20	17	5.5	39	71	38	4	M3X16	2.1
15	28	20	17	5.5	42	66	35	4	M3X16	2.1
16	32	21	17	9.6	77	107	54	4	M4X16	4.9
17	35	25	21	9.6	82	81	40	4	M4X20	4.9
18	35	25	21	9.6	87	77	40	4	M4X20	4.9
19	35	25	21	9.6	91	73	40	4	M4X20	4.9
20	38	26	21	15.7	157	113	60	4	M5X20	10
22	40	26	21	15.7	173	103	57	4	M5X20	10
24	47	32	26	22.3	268	110	56	4	M6X24	17
25	47	32	26	22.3	279	105	56	4	M6X24	17
28	50	32	26	33.5	468	141	79	6	M6X24	17
30	55	32	26	33.5	502	132	72	6	M6X24	17
32	55	32	26	33.5	535	123	72	6	M6X24	17
35	60	37	31	44.6	781	125	73	8	M6X28	17
38	65	37	31	44.6	848	115	67	8	M6X28	17
40	65	37	31	44.6	892	110	67	8	M6X28	17
42	75	44	36	60.6	1272	122	68	6	M8X34	41
45	75	44	36	60.6	1363	113	68	6	M8X34	41
48	80	44	36	80.8	1938	142	85	8	M8X34	41
50	80	44	36	80.8	2019	136	85	8	M8X34	41

尺寸 Dimensions					传递的轴向力 Transmitted Axial Force	传递扭矩 Transmitted Torque	接触面压强 Contacting Pressure		DIN912-12.9级锁紧螺钉 DIN912-12.9 Locking Screw		
d	D	H	H1	H2			轴 Shaft	毂 Hub	数量 n	规格 Size	锁紧扭矩 Locking Torque
mm	mm	mm	mm	mm	Ft	Mt	P	P1		规格 Size	锁紧扭矩 Locking Torque
					KN	Nm	N/mm ²	N/mm ²			Nm
25	55	46	40	32	64	799	314	107	6	M6X35	17
28	55	46	40	32	64	895	281	107	6	M6X35	17
30	55	46	40	32	64	959	262	107	6	M6X35	17
35	60	60	54	44	75	1306	185	83	7	M6X45	17
38	75	62	54	44	135	2567	308	121	7	M8X50	17
40	75	62	54	44	135	2702	293	121	7	M8X50	17
42	75	62	54	44	135	2837	279	121	7	M8X50	41
45	75	62	54	44	135	3040	260	121	7	M8X50	41
48	80	72	64	56	154	3707	216	102	8	M8X55	41
50	80	72	64	56	154	3861	207	102	8	M8X55	41
55	85	72	64	56	174	4779	212	108	9	M8X55	41
60	90	72	64	56	193	5793	216	113	10	M8X55	41
65	95	72	64	56	193	6276	199	107	10	M8X55	41
70	110	88	78	70	313	10951	235	120	10	M10X60	83
75	115	88	78	70	313	11733	220	115	10	M10X60	83
80	120	88	78	70	344	13768	227	121	11	M10X60	83
85	125	88	78	70	376	15959	233	127	12	M10X60	83
90	130	88	78	70	376	16898	220	122	12	M10X60	83
95	135	88	78	70	376	17837	208	117	12	M10X60	83
100	145	112	100	90	501	25029	211	113	11	M12X80	145
110	155	112	100	90	546	30039	209	115	12	M12X80	145
120	165	112	100	90	637	38226	224	127	14	M12X80	145
130	180	130	116	104	743	48270	201	117	12	M14X90	230
140	190	130	116	104	866	60654	217	129	14	M14X90	230
150	200	130	116	104	928	69628	217	132	15	M14X90	230
160	210	130	116	104	990	79220	217	134	16	M14X90	230
170	225	164	148	134	1186	100851	206	116	14	M16X110	360
180	235	164	148	134	1271	114414	208	119	15	M16X110	360
190	250	164	148	134	1356	128814	210	119	16	M16X110	360
200	260	164	148	134	1356	135594	200	115	16	M16X110	360
220	285	164	148	134	1526	167805	204	118	18	M16X110	360
240	305	166	150	134	1626	195100	182	131	20	M16X110	360
260	325	166	150	134	1707	221930	176	129	21	M16X110	360
280	355	197	177	165	2244	314194	179	131	18	M20X130	690
300	375	197	177	165	2494	374042	186	138	20	M20X130	678
320	405	197	177	165	2618	418936	183	134	21	M20X130	690
340	425	197	177	165	2743	466307	180	134	22	M20X130	690

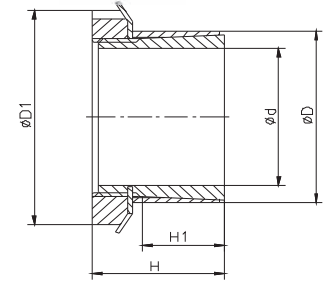
ADEPTRANS CADENAS Y TRANSMISIONES



尺寸 Dimensions					传递的轴向力 Transmitted Axial Force	传递扭矩 Transmitted Torque	接触面压强 Contacting Pressure		DIN912-12.9级锁紧螺钉 DIN912-12.9 Locking Screw		
d	D	H	H1	H2			Ft	Mt	P	P1	数量 n
mm	mm	mm	mm	mm	KN	Nm	N/mm ²	N/mm ²			Ts
360	455	225	203	190	3208	577426	173	130	21	M22X150	930
380	475	225	203	190	3361	638541	172	130	22	M22X150	930
400	495	225	203	190	3666	733255	178	137	24	M22X150	930
420	515	225	203	190	3666	769918	169	131	24	M22X150	930
440	535	225	203	190	3666	807670	162	130	24	M22X150	930
460	555	225	203	190	3666	844390	155	128	24	M22X150	930
480	575	225	203	190	4275	1027650	173	145	28	M22X150	930
500	595	225	203	190	4275	1071000	166	140	28	M22X150	930
520	615	225	203	190	4600	1193400	171	144	30	M22X150	930
540	635	225	203	190	4600	1239300	164	139	30	M22X150	930
560	655	225	203	190	4896	1371050	169	144	32	M22X150	930
580	675	225	203	190	4896	1419500	163	141	32	M22X150	930
600	695	225	203	190	5040	1514700	163	141	33	M22X150	930

REACH 21

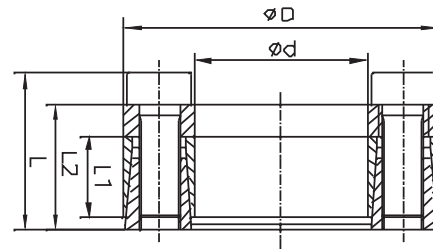
推荐安装尺寸:
轴: h8 Shaft: h8
毂: H8 Hub: H8



尺寸 Dimensions					传递的轴向力 Transmitted Axial Force	传递扭矩 Transmitted Torque	接触面压强 Contacting Pressure		开槽螺母 Slotted Nut		
d	D	D1	H	H1			Ft	Mt	P	P1	数量 n
mm	mm	mm	mm	mm	KN	Nm	N/mm ²	N/mm ²			Ts
15	25	32	31	20	9	77	91	55	1	M20x1	95
18	30	38	33	21	13	125	98	59	1	M25x1.5	160
19	30	38	33	21	13	132	93	59	1	M25x1.5	160
20	30	38	33	21	13	139	88	59	1	M25x1.5	160
24	35	45	38	25	15	202	74	51	1	M30x1.5	220
25	35	45	38	25	15	210	71	51	1	M30x1.5	220
28	40	52	44	28	20	312	76	53	1	M35x1.5	340
30	40	52	44	28	20	335	71	53	1	M35x1.5	340
35	45	58	45	28	25	483	75	58	1	M40x1.5	480
40	50	65	46	28	31	696	82	66	1	M45x1.5	680
45	55	70	47	28	36	902	84	69	1	M50x1.5	870
50	60	75	47	28	37	1014	77	64	1	M55x2	970
55	65	80	48	28	38	1158	73	61	1	M60x2	1100
60	70	85	50	28	41	1379	73	62	1	M65x2	1300

REACH 20

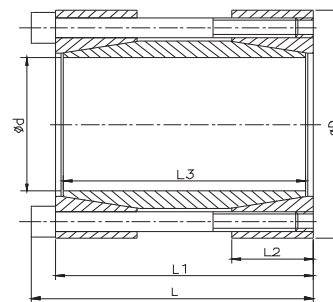
推荐安装尺寸:
轴: h8 Shaft: h8
毂: H8 Hub: H8



尺寸 Dimensions					传递的轴向力 Transmitted Axial Force	传递扭矩 Transmitted Torque	接触面压强 Contacting Pressure		DIN912-12.9级锁紧螺钉 DIN912-12.9 Locking Screw		
d	D	L	L1	L2			Ft	Mt	P	P1	数量 n
mm	mm	mm	mm	mm	KN	Nm	N/mm ²	N/mm ²			Ts
18	40	24.5	12	18.5	23	207	204	92	6	M6X15	15
19	41	24.5	12	18.5	23	219	193	89	6	M6X15	15
20	42	24.5	12	18.5	23	230	183	87	6	M6X15	15
24	46	24.5	12	18.5	23	276	153	80	6	M6X15	15
25	47	24.5	12	18.5	31	383	196	104	8	M6X15	15
28	50	24.5	12	18.5	31	429	175	98	8	M6X15	15
30	52	24.5	12	18.5	31	460	163	94	8	M6X15	15
35	57	28	15	22	46	805	176	108	12	M6X15	15
38	60	28	15	22	46	874	162	103	12	M6X15	15
40	62	28	15	22	46	920	154	99	12	M6X15	15
42	70	36	18	28	81	1692	202	121	12	M8X22	35
45	73	36	18	28	81	1813	189	116	12	M8X22	35
48	76	36	18	28	81	1934	177	112	12	M8X22	35
50	78	36	18	28	81	2014	170	109	12	M8X22	35
55	83	36	18	28	107	2952	206	136	16	M8X22	35
60	88	36	18	28	107	3221	188	128	16	M8X22	35
70	105	45	22	35	129	4513	155	103	12	M10X25	70
80	115	45	22	35	172	6877	181	126	16	M10X25	70

REACH 22

推荐安装尺寸:
轴: h8 Shaft: h8



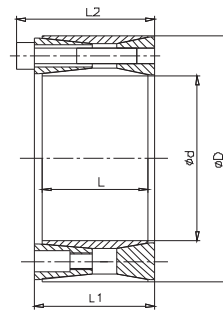
尺寸 Dimensions						传递的轴向力 Transmitted Axial Force	传递扭矩 Transmitted Torque	接触面压强 Contacting Pressure		GB70-85 12.9级锁紧螺钉 GB70-85-12.9 Locking Screw		
d	D	L	L1	L2	L3			Ft	Mt	P	数量 n	规格 Size
mm	mm	mm	mm	mm	mm	KN	Nm	N/mm ²			Ts	
15	45	56	50	16	44	21	158	188	4	M6X45	17	
16	50	56	50	16	44	21	168	176	4	M6X45	17	
17	50	56	50	16	44	21	179	166	4	M6X45	17	
18	50	56	50	16	44	21	190	157	4	M6X45	17	
19	50	56	50	16	44	21	200	149	4	M6X45	17	
20	50	56	50	16	44	21	211	141	4	M6X45	17	
24	55	66	60	18.5	54	32	378	144	6	M6X55	17	
25	55	66	60	18.5	54	32	394	138	6	M6X55	17	
28	60	66	60	18.5	54	32	442	123	6	M6X55	17	

ADEPTRANS CADENAS Y TRANSMISIONES



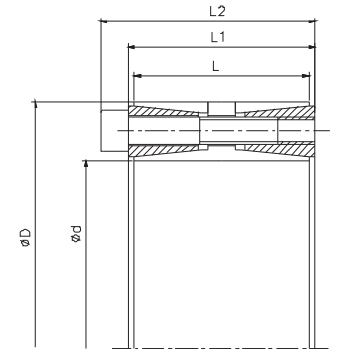
尺寸 Dimensions						传递的轴向力 Transmitted Axial Force	传递扭矩 Transmitted Torque	接触面压强 Contacting Pressure		GB70-85 12.9级锁紧螺钉 GB70-85-12.9 Locking Screw		
d	D	L	L1	L2	L3			轴 Shaft	数量	规格	锁紧扭矩 Locking Torque	
mm	mm	mm	mm	mm	mm	Ft	Mt	P	n	Size	Ts	
						KN	Nm	N/mm ²			Nm	
30	60	66	60	18.5	54	32	473	115	6	M6X55	17	
32	63	66	60	18.5	54	32	505	108	6	M6X55	17	
35	75	83	75	22	67	39	682	98	4	M8X70	42	
38	75	83	75	22	67	39	741	90	4	M8X70	42	
40	75	83	75	22	67	39	780	86	4	M8X70	42	
42	78	83	75	22	67	39	819	82	4	M8X70	42	
45	85	93	85	24.5	76	59	1317	101	6	M8X80	42	
48	90	93	85	24.5	76	59	1405	95	6	M8X80	42	
50	90	93	85	24.5	76	59	1463	91	6	M8X80	42	
55	94	93	85	24.5	76	78	2147	110	8	M8X80	42	
60	100	93	85	24.5	76	78	2343	101	8	M8X80	42	
65	105	93	85	24.5	76	78	2538	93	8	M8X80	42	
70	115	110	100	29	90	123	4321	116	8	M10X95	83	

REACH 33
 推荐安装尺寸:
 Recommended Dimensions:
 轴: h8 Shaft: h8
 毂: H8 Hub: H8
 符合JB/T 7934 Z4标准
 Satisfy JB/T 7934 Z4 Standard



尺寸 Dimensions					传递的轴向力 Transmitted Axial Force	传递扭矩 Transmitted Torque	接触面压强 Contacting Pressure		DIN912-12.9级锁紧螺钉 DIN912-12.9 Locking Screw		
d	D	L	L1	L2			轴 Shaft	毂 Hub	数量	规格	锁紧扭矩 Locking Torque
mm	mm	mm	mm	mm	Ft	Mt	P	P1	n	Size	Ts
					KN	Nm	N/mm ²	N/mm ²			Nm
70	120	56	62	74	197	6850	201	117	8	M12X55	145
80	130	56	62	74	291	11650	263	162	12	M12X55	145
90	140	56	62	74	290	13000	234	150	12	M12X55	145
100	160	74	80	94	389	19700	213	133	12	M14X70	230
110	170	74	80	94	483	26600	242	157	14	M14X70	230
120	180	74	80	94	483	28900	222	148	15	M14X70	230
130	190	74	80	94	483	31200	205	140	15	M14X70	230
140	200	74	80	94	574	40200	227	159	17	M14X70	230
150	210	74	80	94	574	42900	212	152	18	M14X70	230
160	230	88	94	110	800	64000	227	158	17	M16X80	355
170	240	88	94	110	800	67800	214	152	18	M16X80	355
180	250	88	94	110	923	83000	235	170	20	M16X80	355
190	260	88	94	110	923	88000	223	163	21	M16X80	355
200	270	88	94	110	1050	105000	242	179	23	M16X80	355
220	300	110	116	134	1120	123000	189	138	21	M18X100	485
240	320	110	116	134	1280	153000	198	148	24	M18X100	485
250	330	110	116	134	1282	160200	205	157	27	M18X100	485
260	340	110	116	134	1430	186000	205	157	27	M18X100	485
280	370	130	136	156	1650	230000	192	145	24	M20X110	690
300	390	130	136	156	1650	245000	179	138	24	M20X110	690

REACH 37
 推荐安装尺寸:
 Recommended Dimensions:
 轴: h8 Shaft: h8
 毂: H8 Hub: H8
 符合JB/T 7934 Z5标准
 Satisfy JB/T 7934 Z5 Standard



尺寸 Dimensions					传递的轴向力 Transmitted Axial Force	传递扭矩 Transmitted Torque	接触面压强 Contacting Pressure		DIN912-12.9级锁紧螺钉 DIN912-12.9 Locking Screw		
d	D	L	L1	L2			轴 Shaft	毂 Hub	数量	规格	锁紧扭矩 Locking Torque
mm	mm	mm	mm	mm	Ft	Mt	P	P1	n	Size	Ts
					KN	Nm	N/mm ²	N/mm ²			Nm
100	145	60	65	77	288	14400	192	132	10	M12X55	145
110	155	60	65	77	288	15850	175	123	10	M12X55	145
120	165	60	65	77	346	20750	192	139	12	M12X55	145
130	180	68	74	86	433	28100	193	139	15	M12X60	145
140	190	68	74	86	519	36300	214	157	18	M12X60	145
150	200	68	74	86	519	39000	200	150	18	M12X60	145
160	210	68	74	86	606	48500	219	167	21	M12X60	145
170	225	75	81	95	712	60600	215	162	18	M14X65	230
180	235	75	81	95	712	64100	203	155	18	M14X65	230
190	250	88	94	108	792	75200	178	135	20	M14X75	230
200	260	88	94	108	950	95000	203	156	24	M14X75	230
220	285	98	104	120	990	109000	183	141	18	M16X90	355
240	305	98	104	120	1318	153382	222	176	24	M16X90	355
250	315	98	104	120	1340	159773	215	170	24	M16X90	355
260	325	98	104	120	1370	173085	215	172	25	M16X90	355
280	355	120	126	144	1590	217622	188	149	24	M18X110	485
300	375	120	126	144	1650	242887	183	146	25	M18X110	485
320	405	135	142	162	2140	332001	192	152	25	M20X120	690
340	425	135	142	162	2140	352751	181	144	25	M20X120	690
360	455	158	165	187	2670	455557	176	139	25	M22X130	930
380	475	158	165	187	2670	480866	166	133	25	M22X130	930
400	495	158	165	187	2670	506174	158	128	25	M22X130	930
420	515	158	165	187	3200	637762	181	147	30	M22X130	930
450	555	172	180	204	3700	809627	175	142	30	M24X150	1200
480	585	172	180	204	3950	921171	175	143	32	M24X150	1200
500	605	172	180	204	3950	959553	168	139	32	M24X150	1200
530	640	190	200	227	4320	1129002	157	130	30	M27X160	1600
560	670	190	200	227	4320	1192908	148	124	30	M27X160	1600
600	710	190	200	227	4610	1363327	147	124	32	M27X160	1600



瑞迪锁紧盘 REACH Shrink Discs



三件套锁紧盘	Three-part Shrink Disc
REACH14 标准型	REACH 14 Standard Type
REACH43 轻载型	REACH 43 Light-loaded Type
REACH41 加重型	REACH 41 Heavy-loaded Type



两件套锁紧盘	Two-part Shrink Disc
REACH47 锁紧盘	REACH 47 Shrink Disc

REACH14/REACH43/REACH41锁紧盘技术说明 Technical Specifications for REACH14, REACH43 and REACH41 Shrink Discs

三件套锁紧盘胀套特点:

- 1、适合于重载
- 2、装配、拆卸简单
- 3、广泛用于空心轴,滑动齿轮,联轴器等场合,在重要场合替代键联接。
- 4、如需要特殊规格,请与我司联系

说明:

Mt 额定传递扭矩(当轴向负荷Ft = 0时);
Ft 额定轴向载荷(当扭向负载Mt = 0时)
TS 锁紧螺栓拧紧力矩

技术说明

· 扭矩"MT"

传递扭矩取决于轴和毂之间的摩擦系数、间隙以及轴直径这些因素。

· 摩擦系数

上表中所有扭矩值是按主轴与毂摩擦系数为0.15计算结果(干燥、并且无油脂表面“钢/钢”之间的摩擦系数为0.15~0.33)。实际使用场合与此条件不符,则传递扭矩会发生相应改变,如:实际使用中主轴与毂接触表面存在一般润滑油,摩擦系数为0.12,则扭矩值会相应降低。

· 间隙

根据dw尺寸大小,毂与主轴配合公差按此标准执行:

dw18~30 H6/j6 dw31~50 H6/h6
dw51~80 H6/g6 dw81~500 H7/g6

上表是按此配合最大间隙值计算出扭矩。如果轴和毂之间的实际间隙比较紧,会增大传递扭矩。反之亦然(即实际间隙比较松,则减小传递扭矩)。

· 轴直径"dw"

同一规格锁紧盘对应的主轴“dw”直径可能不同,详见上表。如果实际所用主轴直径位于图表中的两个规格(锁紧盘)之间,则传递扭矩两轴径“dw”对应的额定扭矩“Mt”之间。

· 毂材料

毂材料可以选用钢、或者球墨铸铁,材料的屈服强度至少在安全使用范围内。装配产品如果必须传递弯矩(旋转弯曲),扭矩和毂应为诸如42CrMo4的热处理钢,或者质量优良的铸钢或者球墨铸铁。如果出现的弯矩可忽略不计,则可以使用灰铸铁。

· 表面质量

轴和毂的表面粗糙度(Ra)应该低于 $3.2\mu\text{m}$ 。为确保REACH14锁紧盘正常使用,请向瑞迪机械实业有限公司申请《REACH14锁紧盘安装、拆卸使用说明书》。

Characters of Three-part Shrink Disc

Appropriate for heavy duty
Convenient assembly and disassembly
Widely used in hollow shafts, sliding gears, and couplings, etc and replace key connection in important occasions.
Please contact us for special sizes

Instructions

Mt means rated transmitted torque (while the axial loading Ft is 0)
Ft means rated axial loading (while the torsional loading Mt is 0)
TS means tightening torque of locking bolts

Technical Specifications

Torque Mt

The transmitted torque depends on the friction factor between the shaft and hub, clearance and shaft diameter.

Friction Factor

All the torques in the Table are calculated when the friction factor between the shaft and hub is 0.15 (the friction factor between the dry steels without oil is 0.15~0.33). Otherwise, the transmitted torque will be changed. If the friction factor is 0.12 between the shaft and hub with lubricant, the torque will be reduced correspondingly.

Clearance

The matching tolerance of the hub and main shaft are as follow according to dw:

dw18~30 H6/j6 dw31~50 H6/h6
dw51~80 H6/g6 dw81~500 H7/g6

The torque in the Table is calculated based upon the max. clearance. If the actual clearance between the shaft and hub is more tight, the transmitted torque will be increased and, vice versa (which means the torque will be decreased if the actual clearance is larger).

Diameter dw of the Shaft

The diameter dw of the shaft of the same-size shrink discs might be different. For more details, please refer to the above Table. For the actual shaft diameter included by the two shrink discs sizes in the Table, the transmitted torque will be between the rated torque corresponding to the dw of the shafts.

Materials of Hub

The hub can be made of steel or ductile iron. The yielding strength of the materials shall satisfy the safety application requirements. If it is necessary to transmit bending moment (rotation bending), the torque and hub shall be made of heat-treat steel 42CrMo4, good-quality cast steel or ductile iron. The gray cast iron can be used if the bending moment can be neglected.

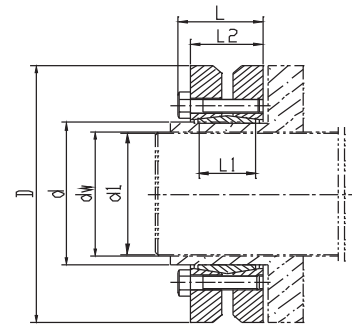
Surface Quality

The surface roughness (Ra) of the shaft and hub shall be smaller than $3.2\mu\text{m}$.
Please contact us for Mounting and Dismounting Instructions for REACH 14 Shrink Discs.

ADEPTRANS CADENAS Y TRANSMISIONES



REACH 41 加重型锁紧盘
REACH 41 Heavy-loaded Shrink Discs
类似JB/T 7934 Z7C标准
Similar to JB/T 7934 Z7C Standard



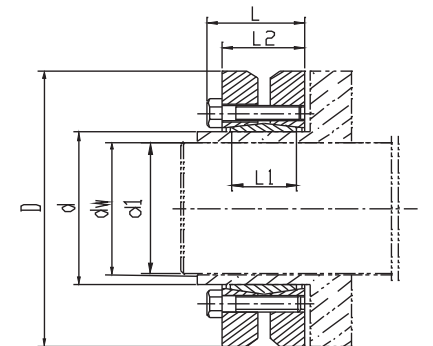
REACH 41 加重型锁紧盘 REACH 41 Heavy-loaded Shrink Discs

尺寸 Dimensions							传递的轴向力 Transmitted Axial Force	传递扭矩 Transmitted Torque	DIN931-10.9级锁紧螺钉 DIN931-10.9 Locking Screw		
Φd	ΦD	Φdw	L1	L2	L	C(dw-d1)最大 间隙C(dw-d1) Max. Clearance			数量 n	规格 Size	锁紧扭矩 Locking Torque
mm	mm	mm	mm	mm	mm	mm	KN	Nm		Nm	
140	230	95	60	74	82	0.069	488	23175	12	M12X55	100
		100					529	26438			
		105					568	29813			
155	263	105	66	84	92	0.069	569	29858	15	M12X60	100
		110					634	34875			
		115					665	38250			
165	290	115	72	88	98	0.069	802	46125	10	M16X65	250
		120					863	51750			
		125					913	57038			
175	300	125	72	88	98	0.079	1260	78750	15	M16X80	250
		130					1359	88308			
		135					1417	95625			
185	330	135	92	112	122	0.079	1200	81000	14	M16X80	250
		140					1414	99000			
		145					1490	108000			
195	350	140	92	112	122	0.079	1366	95625	14	M16X80	250
		150					1388	104063			
		155					1452	112500			
200	350	145	92	112	122	0.079	1971	142875	15	M16X80	250
		150					2040	153000			
		155					2127	164813			
220	370	160	114	134	144	0.079	2180	174375	20	M16X90	250
		165					2400	198000			
		170					2621	222750			
240	405	170	120	144	157	0.079	2819	239625	15	M20X100	490
		180					3000	270000			
		190					3174	301500			
260	430	190	136	160	173	0.09	3375	320625	18	M20X110	490
		200					3600	360000			
		210					3804	399375			
280	460	210	148	172	185	0.09	3654	383625	21	M20X120	490
		220					3845	423000			
		230					3854	443250			
300	485	230	152	176	189	0.09	3336	383625	22	M20X120	490
		240					3525	423000			
		245					3618	443250			
320	520	240	160	184	197	0.09	3544	425250	24	M20X130	490
		250					3735	466875			
		260					3903	507375			
340	570	250	176	200	215	0.101	4406	550688	21	M24X130	840
		260					4587	596250			
		270					4817	650250			
350	580	270	176	200	215	0.101	4633	625500	21	M24X130	840
		280					4854	679500			
		285					4966	707625			
360	590	280	180	204	219	0.101	4918	688500	22	M24X140	840
		290					5144	745875			
		295					5255	775125			
380	645	290	180	204	219	0.101	4795	695250	22	M24X140	840
		300					5010	751500			
		310					5219	808875			
390	660	300	188	212	227	0.101	5310	796500	24	M24X140	840
		310					5531	857250			
		320					5727	916313			

REACH 41 加重型锁紧盘 REACH 41 Heavy-loaded Shrink Discs

尺寸 Dimensions							传递的轴向力 Transmitted Axial Force	传递扭矩 Transmitted Torque	DIN931-10.9级锁紧螺钉 DIN931-10.9 Locking Screw		
Φd	ΦD	Φdw	L1	L2	L	C(dw-d1)最大 间隙C(dw-d1) Max. Clearance			数量 n	规格 Size	锁紧扭矩 Locking Torque
mm	mm	mm	mm	mm	mm	mm	KN	Nm		Nm	
400	680	315	188	212	227	0.111	5464	860625	24	M24X140	840
		320					5541	886500			
		330					5761	950625			
420	690	330	214	238	253	0.111	6811	1123875	30	M24X150	840
		340					7068	1201500			
		350					7329	1282500			
440	750	340	224	252	269	0.111	6161	1047420	24	M27X170	1100
		350					6393	1118700			
		360					6622	1191960			
460	770	360	224	252	269	0.111	7260	1306800	28	M27X170	1100
		370					7599	1405800			
		380					7816	1485000			
480	800	380	246	274	291	0.111	7998	1519650	30	M27X180	1100
		390					8255	1609740			
		400					8514	1702800			
500	850	400	246	274	291	0.123	8663	1732500	32	M27X180	1100
		410					8886	1821600			
		420					9146	1920600			

REACH 43 轻载型锁紧盘
REACH 43 Light-Loaded Shrink Discs
类似JB/T 7934 Z7A标准
Similar to JB/T 7934 Z7A Standard



尺寸 Dimensions							传递的轴向力 Transmitted Axial Force	传递扭矩 Transmitted Torque	DIN931-10.9级锁紧螺钉 DIN931-10.9 Locking Screw		
Φd	ΦD	Φdw	L1	L2	L	C(dw-d1)最大 间隙C(dw-d1) Max. Clearance			数量 n	规格 Size	锁紧扭矩 Locking Torque
mm	mm	mm	mm	mm	mm	mm	KN	Nm		Nm	
125	185	95	39	51	58	0.069	278	13200	8	M10X40	59
		100					303	15125			
		105					329	17250			
140	220	110	39	51	58	0.069	336	18500	9	M10X40	59
		120					388	23300			
		125					410	25625			
155	245	130	39	51	58	0.069	462	30000	11	M10X40	59
		135					489	33000			
		140					518	36250			
165	260	135	46	62	70	0.079	593	40000	10	M12X50	100
		140					629	44000			
		145					664	48125			
175	275	145	46	62	70	0.079	672	48750	11	M12X50	100
		150					707	53000			
		155					742	57500			

ADEPTRANS CADENAS Y TRANSMISIONES



REACH47 二件套锁紧盘设计说明 Technique Specifications of Two-part Shrink Discs

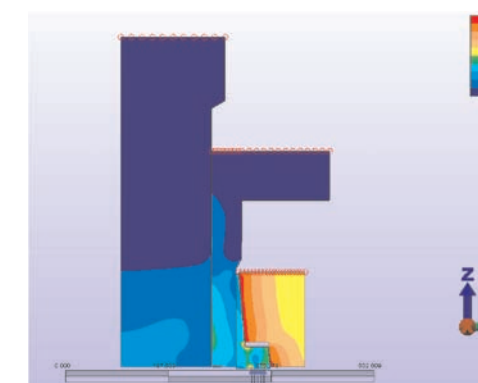
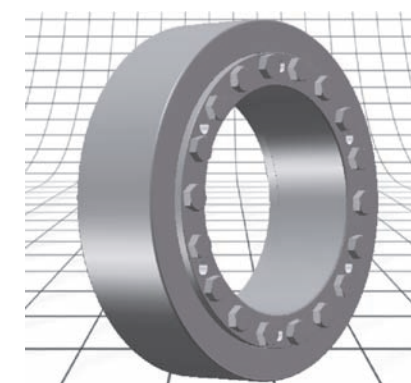
尺寸 Dimensions							传递的轴向力 Transmitted Axial Force	传递扭矩 Transmitted Torque	DIN931-10.9级锁紧螺钉 DIN931-10.9 Locking Screw		
Φd	ΦD	Φdw	L1	L2	L	C(dw-d1)最大 间隙 Max. Clearance C(dw-d1)			数量 n	规格 Size	锁紧扭矩 Locking Torque
mm	mm	mm	mm	mm	mm	mm	KN	Nm	Ts		
									Nm		
185	295	155	46	62	70	0.79	752	58250	12	M12X50	100
		160					786	62875			
		165					818	67500			
		165					1064	87750			
195	315	170	56	72	80	0.079	996	84625	15	M12X55	100
		175					1036	90625			
		175					1057	92500			
		180					1104	99375			
200	330	185	56	72	80	0.079	1142	105625	16	M12X55	100
		180					1150	103500			
		190					1230	116875			
		200					1313	131250			
220	345	200	66	84	94	0.079	1413	141250	10	M16X65	250
		210					1518	159375			
		215					1564	168125			
		220					1693	186250			
240	370	230	66	84	94	0.079	1793	206250	12	M16X65	250
		235					1840	216250			
		240					1859	213750			
		240					1969	236250			
260	395	250	72	92	102	0.09	2080	260000	14	M16X70	250
		250					2150	268750			
		260					2250	292500			
		270					2361	318750			
280	425	270	84	104	114	0.09	2407	325000	16	M16X75	250
		240					2536	355000			
		250					2638	382500			
		250					2586	375000			
300	460	270	84	104	114	0.09	2700	405000	18	M16X75	250
		260					2762	421250			
		270					3100	465000			
		270					3156	481250			
320	495	290	84	106	116	0.09	3226	500000	20	M16X75	250
		290					3000	450000			
		290					3129	485000			
		290					3242	518750			
340	535	300	84	106	116	0.101	3398	543750	21	M16X75	250
		305					3469	563750			
		300					3538	583750			
		305					3829	631750			
350	545	310	100	122	135	0.101	3971	675000	16	M20X90	490
		310					4121	721250			
		310					4044	687500			
		310					4193	733750			
360	555	320	100	122	135	0.101	4347	782500	16	M20X90	490
		320					4426	818750			
		320					4574	846250			
		320					4730	898750			
380	585	330	112	136	149	0.101	4885	952500	18	M20X100	490
		330					5385	1050000			
		330					5563	1112500			
		330					5707	1170000			
390	595	340	112	136	149	0.101	5433	1113750	20	M20X100	490
		340					5601	1176250			
		340					5682	1207500			
		340					5800	1232500			
400	615	350	112	136	149	0.111	5890	1266250	22	M20X100	490
		350					6057	1332500			
		350									
		350									
420	630	360	120	144	157	0.111			24	M20X100	490
		360									
		360									
		360									
440	660	370	120	144	157	0.111			28	M20X110	490
		370									
		370									
		370									
460	685	380	132	158	171	0.111			28	M20X110	490
		380									
		380									
		380									
480	715	390	132	158	171	0.111			30	M20X110	490
		390									
		390									
		390									
500	750	400	132	158	171	0.123					
		400									
		400									
		400									

两件套锁紧盘胀套特点:

- 适合于重载
- 装配、拆卸简单
- 两件套锁紧盘结构更紧凑，装配后同轴度高，适合更高转速。
- 广泛用于空心轴、滑动齿轮、联轴器等场合，在重要场合替代键联接。
- 如需要特殊规格，请与我司联系

Features of Two-part Shrink Discs

- Appropriate for heavy duty
- Convenient assembly and disassembly
- Higher co-axial degree for higher rotation speed supported by compact structure
- Widely used in hollow shafts, sliding gears, couplings, etc and replace key connection in important occasions.
- For special sizes, please contact us



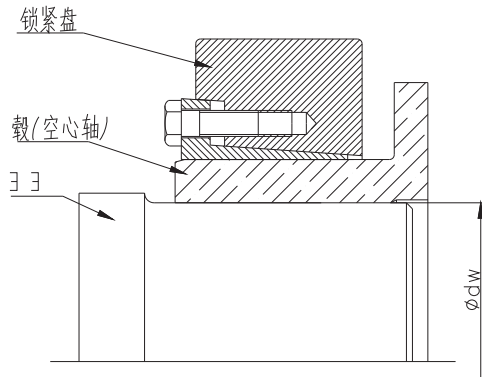
REACH47锁紧盘使用3D CAD软件设计
Use 3D CAD software in designing

通过CAE软件进行有限元分析验证优化,确保锁紧盘使用更安全可靠。
Use CAE to verify and optimize the finite element analysis to ensure the product safety and reliability

ADEPTRANS CADENAS Y TRANSMISIONES



REACH47 二件套锁紧盘设计说明 Technique Specifications of Two-part Shrink Discs



说明:
Mt 额定传递扭矩(当轴向负荷Ft = 0时);
Ft 额定轴向载荷(当扭向负载Mt = 0时)
TS 锁紧螺栓拧紧力矩

Instructions
Mt means rated transmitted torque (while the axial loading Ft is 0)
Ft means rated axial loading (while the torsional loading Mt is 0)
TS means tightening torque of locking bolts

Technical Specifications Torque Mt

The transmitted torque depends on the friction factor between the shaft and hub, clearance and shaft diameter.

Friction Factor

All the torques in the Table are calculated when the friction factor between the shaft and hub is 0.15 (the friction factor between the dry steels without oil is 0.15~0.33). Otherwise, the transmitted torque will be changed. If the friction factor is 0.12 between the shaft and hub with lubricant, the torque will be reduced correspondingly.

Clearance

For the torque in the Table, the clearance d upto 160mm is used while the shaft matches hub according to H7/h6, or the clearance d from 160mm or equal to 160mm is used while the shaft matches hub according to H7/g6, as well as the max. clearance. The transmitted torque will be increased if the clearance is smaller and vice versa (which means the larger clearance will reduce the transmitted torque)

Shaft Diameter dw

The diameter dw of the shaft of the same-size shrink discs might be different. For more details, please refer to the above Table. For the actual shaft diameter included by the two shrink discs sizes in the Table, the transmitted torque will be between the rated torque corresponding to the dw of the shafts.

Materials of Hub

The hub can be made of steel or ductile iron. The yielding strength of the materials shall satisfy the safety application requirements. If it is necessary to transmit bending moment (rotation bending), the torque and hub shall be made of heat-treat steel 42CrMo4, good-quality cast steel or ductile iron. The gray cast iron can be used if the bending moment can be neglected.

Surface Quality

The surface roughness (Ra) of the shaft and hub shall be smaller than 3.2 μm.
Please contact us for Mounting and Dismounting Instructions for REACH 47 Shrink Discs.

技术说明

· 扭矩 "Mt"

传递扭矩取决于轴和毂之间的摩擦系数、间隙以及轴直径这些因素。

· 摩擦系数

上表中所有扭矩值是按主轴与毂摩擦系数为0.15计算结果(干燥、并且无油脂表面“钢/钢”之间的摩擦系数为0.15~0.33)。实际使用场合与此条件不符,则传递扭矩会发生相应改变,如:实际使用中主轴与毂接触表面存在一般润滑油,摩擦系数为0.12,则扭矩值会相应降低。

· 间隙

上表是在间隙“d”160MM以内主轴与毂孔按H7/h6配合,大于或等于160mm主轴与毂孔按H7/g6配合,并按间隙最大值的情况下,计算出扭矩。如果轴和毂之间的实际间隙比较紧,会增大传递扭矩。反之亦然(即实际间隙比较松,则减小传递扭矩)。

· 轴直径"dw"

同一规格锁紧盘对应的主轴“dw”直径可能不同,详见上表。如果实际所用主轴直径位于图表中的两个规格(锁紧盘)之间,则传递扭矩在两轴径“dw”对应的额定扭矩“Mt”之间。

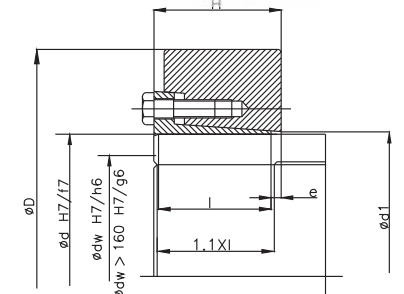
· 毂材料

毂材料可以选用钢、或者球墨铸铁,材料的屈服强度至少在安全使用范围内。装配产品如果必须传递弯矩(旋转弯曲),扭矩和毂应为诸如42CrMo4的热处理钢,或者质量优良的铸钢或者球墨铸铁。如果出现弯矩可忽略不计,则可以使用灰铸铁。

· 表面质量

轴和毂的表面粗糙度(Ra)应该低于3.2 μm。

为确保REACH47锁紧盘正常使用,请向瑞迪机械实业有限公司申请《REACH47锁紧盘安装、拆卸使用说明书》。



瑞迪47锁紧盘
REACH47 Shrink Discs
类似JB/T 7934 Z10标准
Similar to JB/T 7934 Z10 Standard

尺寸 Dimensions							锁紧螺栓 ISO 4014 Locking Bolts ISO 4014		额定负荷 Rated Loading	
d	dw	D	l	H	d1	e	Ms	Ts	Mt	Ft
[mm]	[mm]	[mm]	[mm]	[mm]	[mm]	[mm]	mm	Nm	[kNm]	[kN]
24	19	50	14	18	26	2	M5	5	0.16	17
	20								0.2	20
	22								0.28	25
30	24	60	16	20	32	2	M5	5	0.28	23
	25								0.32	25
	26								0.36	27
36	27	72	18	22	39	2	M8	29	0.44	32
	30								0.60	41
	33								0.81	50
44	34	80	20	24	47	2	M8	29	0.68	41
	35								0.76	44
	37								0.91	50
50	38	90	22	26	53	2.5	M8	29	1.10	57
	40								1.28	64
	42								1.49	70
55	42	100	23	29	58	3	M8	29	1.22	58
	45								1.51	67
	48								1.84	77
62	48	110	23	29	66	3	M8	29	1.65	69
	50								1.87	75
	52								2.10	80
68	50	115	23	29	72	3	M8	29	1.85	74
	55								2.43	88
	60								3.09	103
75	55	138	25	31	79	4	M10	58	2.31	84
	60								2.99	100
	65								3.77	116
80	60	141	25	31	84	4	M10	58	3.16	105
	65								4.02	122
	70								4.86	139
90	65	155	30	38	94	4	M10	58	5.35	164
	70								6.44	185
	75								7.72	206
100	70	170	34	43	104	4	M10	58	5.94	169
	75								7.13	190
	80								8.42	211
110	80	185	39	49	114	5.5	M12	100	9.90	247
	85								11.6	272
	90								13.5	299
120	85	197	42	53	124	6.5	M12	100	11.8	277
	90								13.7	304
	95								15.7	331
125	90	215	42	53	129	6.5	M12	100	14.3	316
	95								16.3	344
	100								18.5	371
135	95	230	46	58	139	8.5	M14	160	17.9	378
	100								20.4	408
	110								25.7	468
140	100	230	46	58	144	8.5	M14	160	19.4	388
	105								21.9	417
	115								27.3	476
155	110	263	50	62	159	8.5	M14	160	26.2	477
	115								29.2	509
	125								35.7	572
165	120	290	56	68	169	9.5	M16	240	36.9	616
	125								40.8	652
	135								49.1	727
175	130	300	56	68	179	10	M16	240	44.6	685
	135								48.5	723
	145								57.4	797
185	140	320	71	85	191	10	M16	240	63.4	907
	145								69.3	951
	155								81.2	1042
200	150	340	71	85	206	11	M16	240	80.2	1062
	155								86.1	1109
	165								99.0	1204



尺寸 Dimensions							锁紧螺栓 ISO 4014 Locking Bolts ISO 4014		额定负荷 Rated Loading	
d	dw	D	l	H	d1	e	Ms	Ts	Mt	Ft
[mm]	[mm]	[mm]	[mm]	[mm]	[mm]	[mm]	mm	Nm	[Knm]	[kN]
220	160	370	88	103	228	12	M20	470	102	1270
	170								118	1381
	180								135	1494
240	170	405	92	107	248	13	M20	470	121	1425
	180								139	1539
	200								177	1772
260	190	430	103	119	268	14	M20	470	161	1698
	200								182	1824
	220								229	2078
280	210	460	114	132	288	16	M20	470	213	2030
	220								238	2164
	240								292	2433
300	220	485	122	140	308	16	M24	820	267	2431
	230								297	2579
	250								359	2877
320	240	520	122	140	328	16	M24	820	298	2486
	250								329	2628
	270								394	2916
340	250	570	134	155	348	18	M24	820	386	3087
	260								423	3250
	280								501	3581
350	270	580	140	162	358	20	M24	820	488	3613
	280								530	3787
	290								574	3961
360	270	590	140	162	368	20	M24	820	491	3639
	280								534	3813
	300								625	4164
380	290	640	144	166	388	20	M27	1210	579	3994
	300								626	4173
	310								674	4353
390	290	650	144	166	398	20	M27	1210	634	4367
	300								684	4559
	320								791	4946
420	320	670	163	186	428	22	M27	1210	735	4594
	330								789	4781
	350								903	5157
440	340	740	172	194	448	22	M27	1210	936	5501
	350								999	5706
	370								1132	6119
460	360	770	172	194	468	22	M27	1210	1093	6072
	370								1162	6282
	390								1307	6703
480	380	800	188	213	488	22	M30	1640	1287	6775
	390								1364	6995
	410								1526	7441
500	400	850	188	213	508	22	M30	1640	1481	7403
	410								1565	7634
	430								1741	8098
530	430	910	213	238	538	22	M30	1640	1911	8886
	440								2011	9142
	460								2221	9654
560	450	940	213	238	568	22	M30	1640	2076	9225
	460								2179	9476
	480								2396	9980
590	470	960	228	260	598	25	M30	1640	2567	10922
	480								2688	11201
	500								2940	11762
620	500	1020	254	286	630	25	M30	1640	2875	11500
	520								3137	12068
	540								3413	12639
660	530	1070	260	292	670	25	M33	2210	3296	12436
	550								3578	13009
	570								3872	13585
700	560	1140	260	292	710	25	M33	2210	3766	13449
	580								4068	14027
	600								4383	14608
750	600	1150	278	320	760	38	M33	2210	4753	15844
	620								5105	16470
	650								5659	17413
800	640	1230	296	350	810	40	M33	2210	5749	17966
	660								6149	18635
	700								6992	19979

联轴器

Couplings



价值源于核心技术

From Premium Technology
Comes
Exceptional Quality

